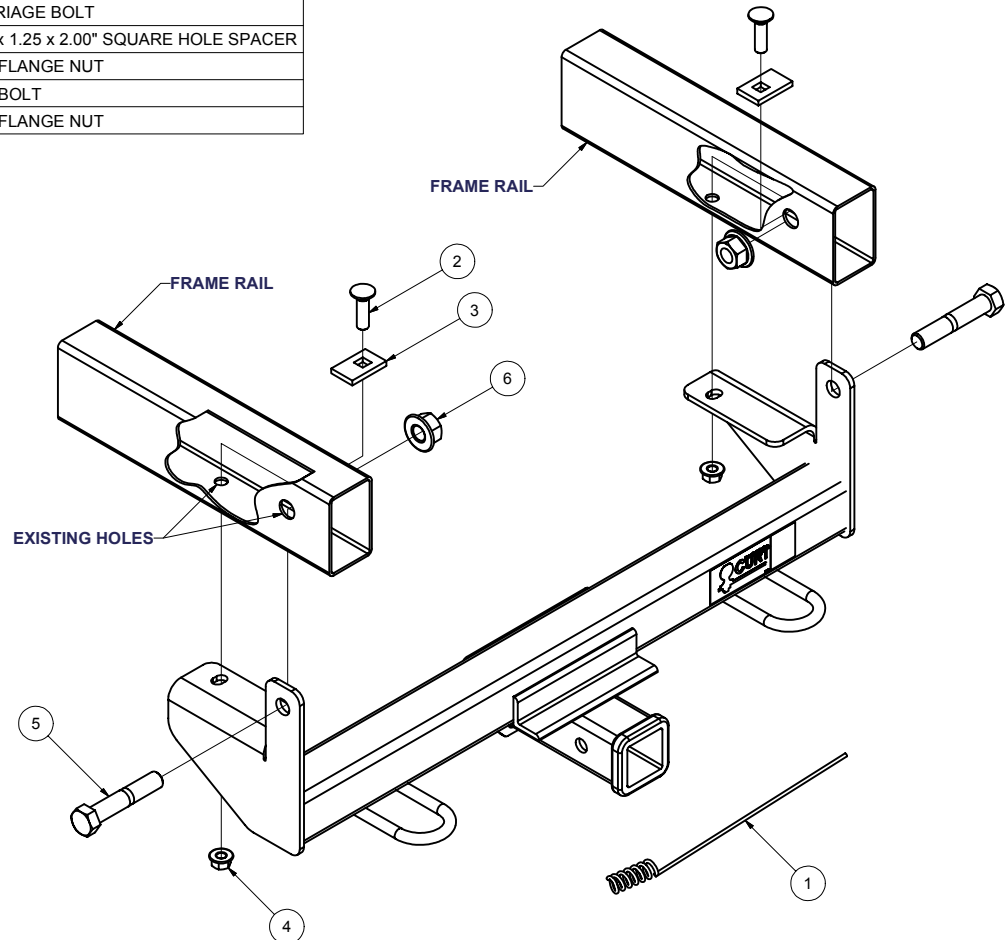


GROSS LOAD CAPACITY WHEN USED AS A WEIGHT CARRYING HITCH: 5000 LBS. TRAILER WEIGHT & 500 LBS. TONGUE WEIGHT.
GROSS LOAD CAPACITY WHEN USED AS STRAIGHT LINE PULL: 9000 LBS. MAX. LINE PULL.

DO NOT EXCEED VEHICLE MANUFACTURER'S RECOMMENDED TOWING CAPACITY.***

Parts List			
ITEM	QTY	PART NUMBER	DESCRIPTION
1	1	1/2"	FISHWIRE TOOL
2	2	1/2-13 x 1 3/4	CARRIAGE BOLT
3	2	CM-SP3	.250 x 1.25 x 2.00" SQUARE HOLE SPACER
4	2	HFN 1213	HEX FLANGE NUT
5	2	3/4-10 x 4.00	HEX BOLT
6	2	3/4-10	HEX FLANGE NUT



HITCH WEIGHT: 32 LBS.

INSTALL TIME: 20 MINUTES

INSTALL NOTES:

NO DRILLING REQUIRED

INSTALLATION STEPS

- 1) Fishwire 1/2" carriage bolts and spacers through existing hole in side of frame rail and out existing hole in bottom of frame rail.
- 2) Lift hitch into position over 1/2" bolts and secure with flange nuts.
- 3) Install 3/4" bolts through hitch and frame and secure with flange nuts.
- 4) Torque all 1/2" fasteners to 75 lb-ft and all 3/4" fasteners to 260 lb-ft.

PERIODICALLY CHECK THIS RECEIVER HITCH TO ENSURE THAT ALL FASTENERS ARE TIGHT AND THAT ALL STRUCTURAL COMPONENTS ARE SOUND.