

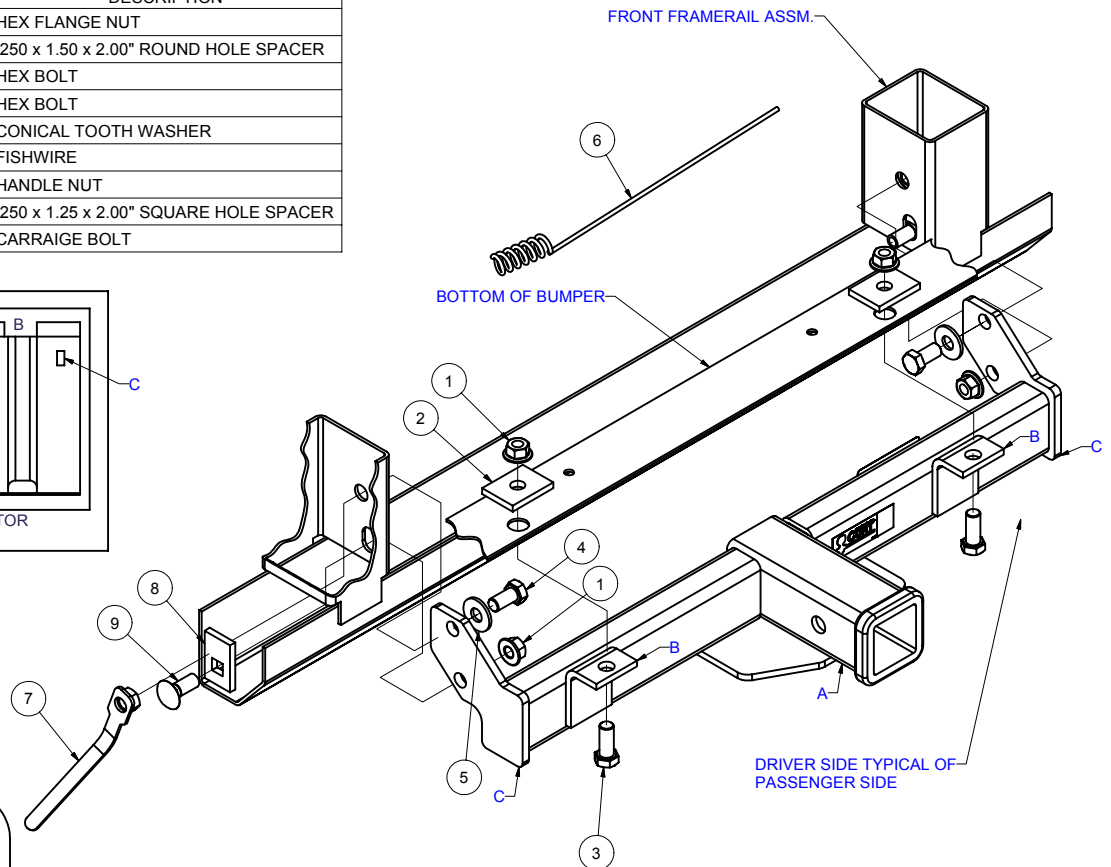
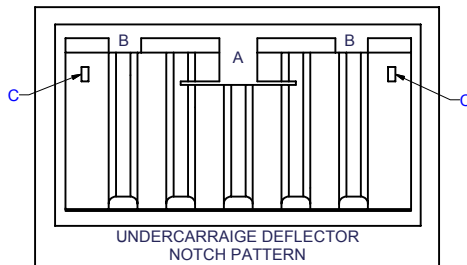
**31432****JEEP WRANGLER UNLIMITED**

10/12/2007

WILL NOT WORK WITH OPTIONAL BUMPERS

GROSS LOAD CAPACITY WHEN USED AS A WEIGHT CARRYING HITCH: 3,500 LBS. TRAILER WEIGHT & 350 LBS. TONGUE WEIGHT.  
**\*\*\*DO NOT EXCEED VEHICLE MANUFACTURER'S RECOMMENDED TOWING CAPACITY.\*\*\***

Parts List			
ITEM	QTY	PART NUMBER	DESCRIPTION
1	4	HFN 1213	HEX FLANGE NUT
2	2	CM-SP16	.250 x 1.50 x 2.00" ROUND HOLE SPACER
3	2	1/2-13 x 1 1/4	HEX BOLT
4	2	1/2-13 x 1	HEX BOLT
5	2	1/2"	CONICAL TOOTH WASHER
6	1	1/2"	FISHWIRE
7	2	1/2-13	HANDLE NUT
8	2	CM-SP3	.250 x 1.25 x 2.00" SQUARE HOLE SPACER
9	2	1/2-13 x 1 1/4	CARRAIGE BOLT

HITCH WEIGHT: 20 LBS.INSTALL TIME: 45 MINUTES

INSTALL NOTES:

- NO DRILLING REQUIRED
- DEFLECTOR TRIMMING OPTIONAL

## INSTALLATION STEPS

- 1) Remove undercarrage deflector from vehicle by removing six plastic screw fasteners.  
(Tip: To remove fasteners squeeze pointed tip and unscrew using phillips screw driver.)
- 2) Raise hitch into position and align holes in frame with holes in hitch.
- 3) Fasten hitch to bottom of bumper using supplied hardware and hand tighten.
- 4) Fishwire 1/2" carriage bolts and spacers through bottom hole of frame rails and secure.
- 5) Install remaining hardware as shown.
- 6) Torque all 1/2" hardware to 75 lb-ft.
- 7) (Optional - if reinstalling undercarrage deflector on vehicle, notch as shown to allow clearance for corresponding hitch components.)

**PERIODICALLY CHECK THIS RECEIVER HITCH TO ENSURE THAT ALL FASTENERS ARE TIGHT AND THAT ALL STRUCTURAL COMPONENTS ARE SOUND.**

Curt Manufacturing Inc., warrants this product to be free of defects in material and/or workmanship at the time of retail purchase by the original purchaser. If the product is found to be defective, Curt Manufacturing Inc., may repair or replace the product, at their option, when the product is returned, prepaid, with proof of purchase. Alteration to, misuse of, or improper installation of this product voids the warranty. Curt Manufacturing Inc.'s liability is limited to repair or replacement of products found to be defective, and specifically excludes liability for incidental or consequential loss or damage.

5/17/07