

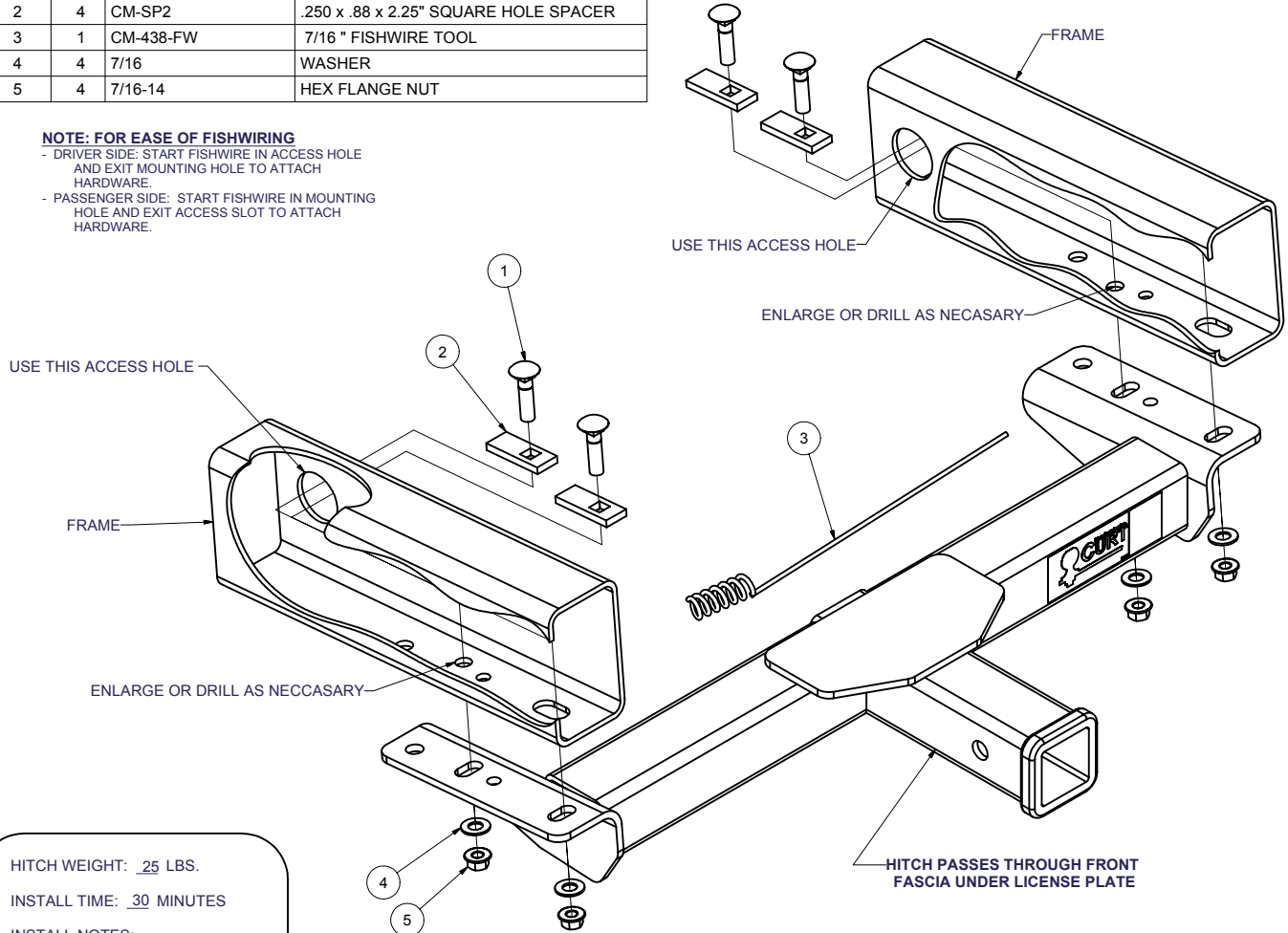
**GROSS LOAD CAPACITY WHEN USED AS A WEIGHT CARRYING HITCH: 3,500 LBS. TRAILER WEIGHT & 350 LBS. TONGUE WEIGHT.
GROSS LOAD CAPACITY WHEN USED AS STRAIGHT LINE PULL: 9,000 LBS. MAX. LINE PULL.**

DO NOT EXCEED VEHICLE MANUFACTURER'S RECOMMENDED TOWING CAPACITY.***

Parts List				
ITEM	QTY	PART NUMBER	DESCRIPTION	
1	4	7/16 - 14 x 1 3/4	CARRIAGE BOLT	
2	4	CM-SP2	.250 x .88 x 2.25" SQUARE HOLE SPACER	
3	1	CM-438-FW	7/16" FISHWIRE TOOL	
4	4	7/16	WASHER	
5	4	7/16-14	HEX FLANGE NUT	

NOTE: FOR EASE OF FISHWIRING

- DRIVER SIDE: START FISHWIRE IN ACCESS HOLE AND EXIT MOUNTING HOLE TO ATTACH HARDWARE.
- PASSENGER SIDE: START FISHWIRE IN MOUNTING HOLE AND EXIT ACCESS SLOT TO ATTACH HARDWARE.



HITCH WEIGHT: 25 LBS.

INSTALL TIME: 30 MINUTES

INSTALL NOTES:

- REMOVE AIR DAM
- DRILLING REQUIRED
- TRIM AIR DAM AS NEEDED

INSTALLATION STEPS

1. Lower air duct from frame rails if present.
2. Raise hitch in front of radiator with receiver passing through front fascia. Using the hitch as a template, drill the rear mounting holes with a 9/16" drill bit.
3. Using the fishwire, position the carriage bolts and spacers into the slots in the frame as shown.
4. Install flange nuts and hand tighten.
5. Trim air duct as needed for proper fit.
6. Torque all fasteners to 50 ft. - lb.

PERIODICALLY CHECK THIS RECEIVER HITCH TO ENSURE THAT ALL FASTENERS ARE TIGHT AND THAT ALL STRUCTURAL COMPONENTS ARE SOUND.