



Twin Beam Suspended Free Stall

Featuring our Relax Fit & Ironside Loops

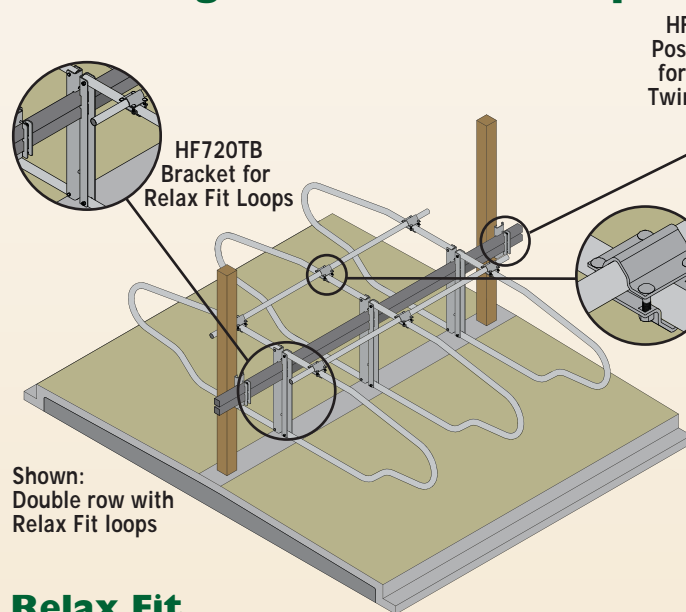
Everyone has concerns of steel rusting when it is mounted into or on concrete. This stall system eliminates that concern. The loops are mounted to twin 3" x 3" tubes which are mounted to the building post or support post where needed, giving you more years of use.

Features

- All concrete work can be done without obstructions
- Big labor savings on concrete and installation labor
- No stall mounts to be anchored to concrete
- Uses our standard Ironside or Relax Fit loops
- Easy adjustable spacing
- Stronger than comparable single beam systems
- More cow comfort area
- No stall mounts on the concrete or in the sand bedding
- Stall system stays high and dry resulting in longer life
- Single and double row installations available

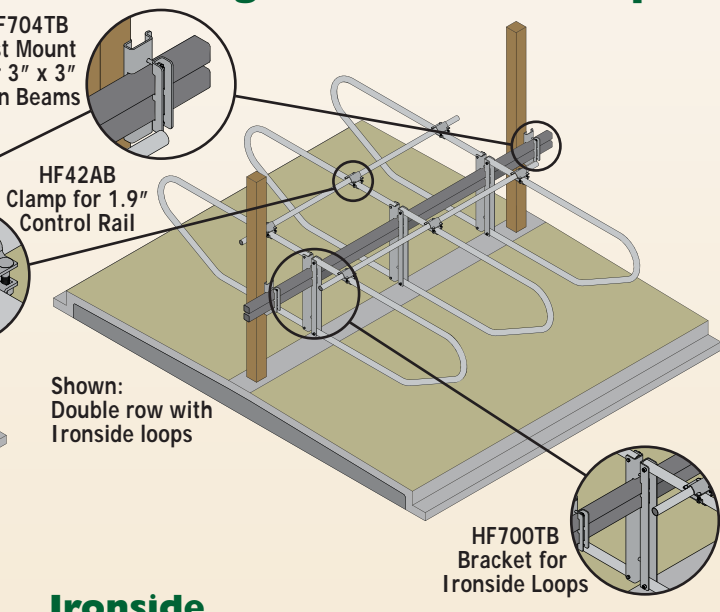


Featuring our Relax Fit Loops



Shown: Double row with Relax Fit loops

Featuring our Ironside Loops



Shown: Double row with Ironside loops

Relax Fit Twin Beam Suspended Free Stall

Part #	Descriptions
TFY860-HDG	Loop, Relax Fit 2 $\frac{3}{8}$ " , 6', 10 gauge, Galvanized
TFY866-HDG	Loop, Relax Fit 2 $\frac{3}{8}$ " , 6'6", 10 gauge, Galvanized
TFY870-HDG	Loop, Relax Fit 2 $\frac{3}{8}$ " , 7', 10 gauge, Galvanized
TFY876-HDG	Loop, Relax Fit 2 $\frac{3}{8}$ " , 7'6", 10 gauge, Galvanized
TFY880-HDG	Loop, Relax Fit 2 $\frac{3}{8}$ " , 8', 10 gauge, Galvanized
TFY886-HDG	Loop, Relax Fit, 2 $\frac{3}{8}$ " , 8'6", 10 gauge, Galvanized
HF720TB	Bracket, Twin Beam, Double Row, Relaxed Fit, w/Hardware
HF721TB	Bracket, Twin Beam, Single Row, Relaxed Fit, w/Hardware
HF704TB	Mount, 3" x 3" Twin Beam to Post
HF725TB	Bracket, Twin Beam, Wall/Post, Relaxed Fit, w/Hardware
RPSQ3311288	Square Tube, 3" x 3", 11 Gauge, 24', Raw Steel
TR1914	Top Rail, 1.9" 14 gauge 288" Gatorshield Swaged
HF42AB	Clamp, Control Rail 1.9" x 2 $\frac{3}{8}$ " with $\frac{1}{2}$ " Nylock Hardware

Ironside Twin Beam Suspended Free Stall

Part #	Descriptions
TF860-HDG	Loop, Ironside Free Stall 2 $\frac{3}{8}$ " , 6', 10 gauge, Galvanized
TF866-HDG	Loop, Ironside Free Stall 2 $\frac{3}{8}$ " , 6'6", 10 gauge, Galvanized
TF800-HDG	Loop, Ironside Free Stall 2 $\frac{3}{8}$ " , 7', 10 gauge, Galvanized
TF876-HDG	Loop, Ironside Free Stall 2 $\frac{3}{8}$ " , 7'6", 10 gauge, Galvanized
TF880-HDG	Loop, Ironside Free Stall 2 $\frac{3}{8}$ " , 8', 10 gauge, Galvanized
TF886-HDG	Loop, Ironside Free Stall 2 $\frac{3}{8}$ " , 8'6", 10 gauge, Galvanized
HF700TB	Bracket, Twin Beam, Double Row, Ironside, w/Hardware
HF701TB	Bracket, Twin Beam, Single Row, Ironside, w/Hardware
HF704TB	Mount, 3" x 3" Twin Beam to Post
HF705TB	Bracket, Twin Beam, Wall/Post, Ironside, w/Hardware
RPSQ3311288	Square Tube, 3" x 3", 11 Gauge, 24', Raw Steel
TR1914	Top Rail, 1.9" 14 Gauge, 288" Gatorshield Swaged
HF42AB	Clamp, Control Rail 1.9" x 2 $\frac{3}{8}$ " with $\frac{1}{2}$ " Nylock Hardware