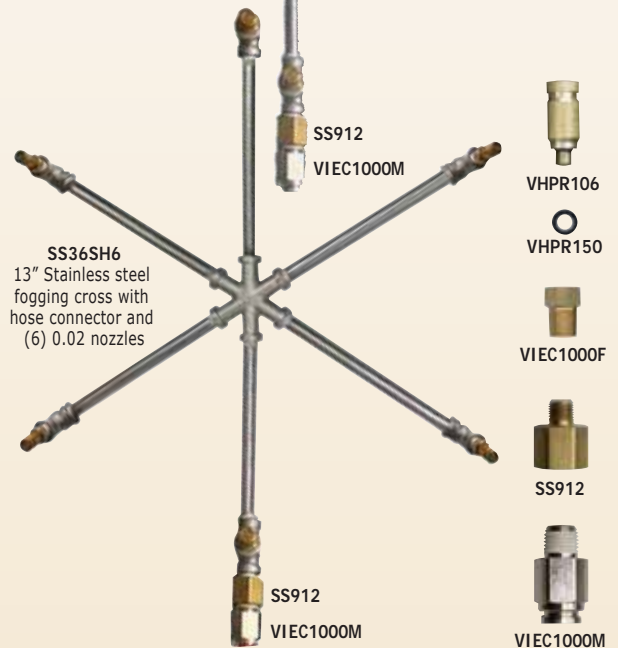
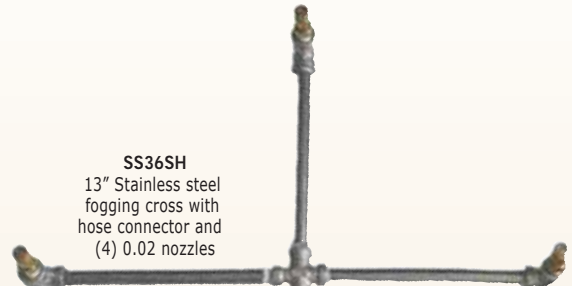
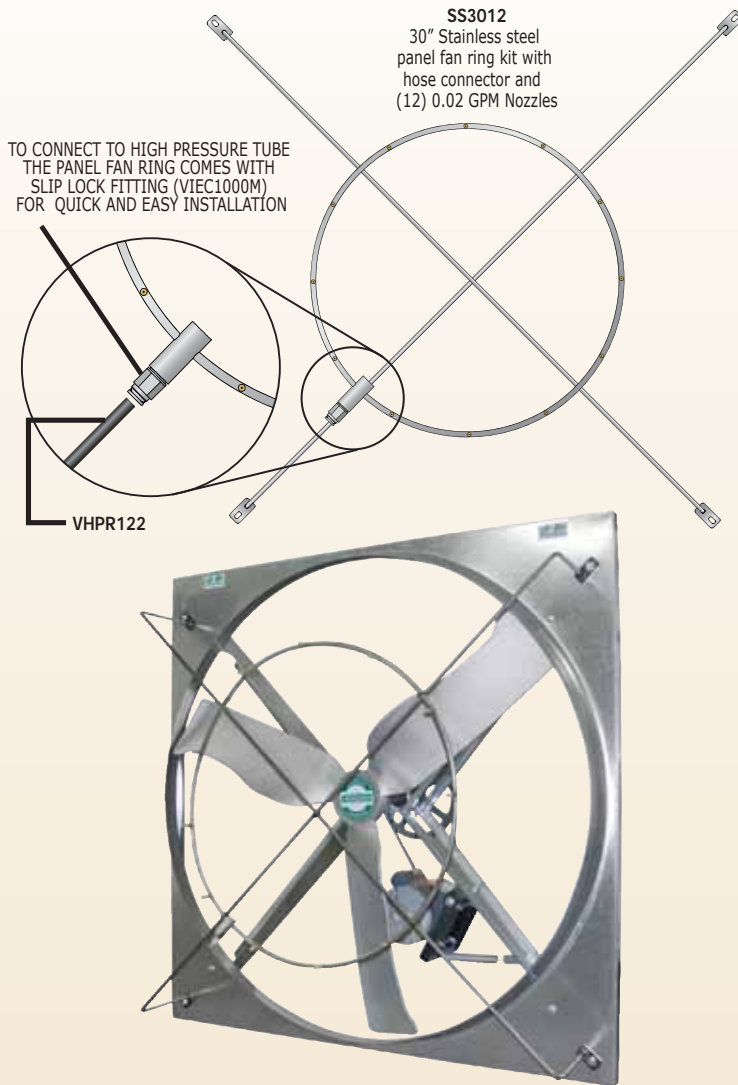




High Pressure Fogging Fan Kits



Part#	Description
Panel Fan Ring Kit	
SS3012	Ring Kit, 30" Stainless Steel with Coupler and X-Frame Mount, (12) Anti Drip 0.02 GPM Brass Nozzles
Basket Fan Fogging Cross Kits	
SS36SH	4-way Cross, 13" Stainless Steel with Couplers, (4) Anti Drip 0.02 GPM Brass Nozzles
SS36SH6	6-way Cross, 13" Stainless Steel with Couplers, (6) Anti Drip 0.02 GPM Brass Nozzles
Replacement Fittings and Nozzles	
SS912	Adapter, Brass, 1/4" FPT to 1/8" MPT
VHPR106	Nozzle, Anti Drip 0.02 GPM Brass
VIEC1000F	Nozzle Adapter, Brass, 1/8" MPT to 10-24 Thread
VIEC1000M	Adapter, Slip Lock 3/8" to 1/4" NPT
Other	
VHPR122	Tube, 3/8" High Pressure Nylon (per foot)
VHPR150	O-Ring, Replacement for Nozzles