



# Twin Beam Suspended Free Stall

## Featuring our Relax Fit & Ironside Loops

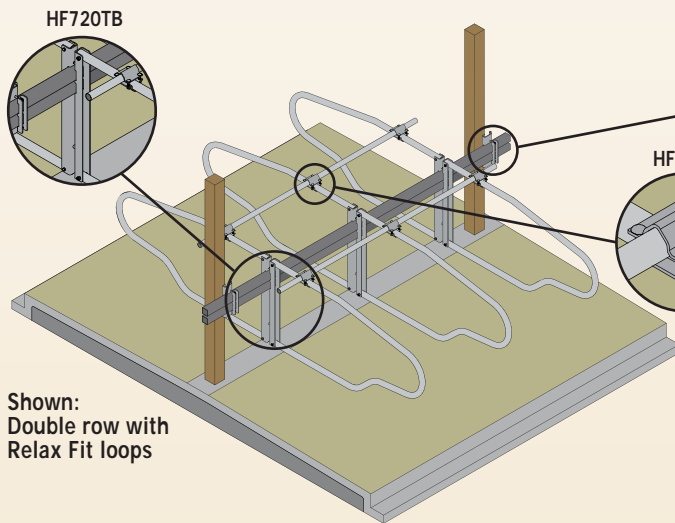
Everyone has concerns of steel rusting when it is mounted into or on concrete. This stall system eliminates that concern. The loops are mounted to twin 3" x 3" tubes which are mounted to the building post or support post where needed, giving you more years of use.

### Features

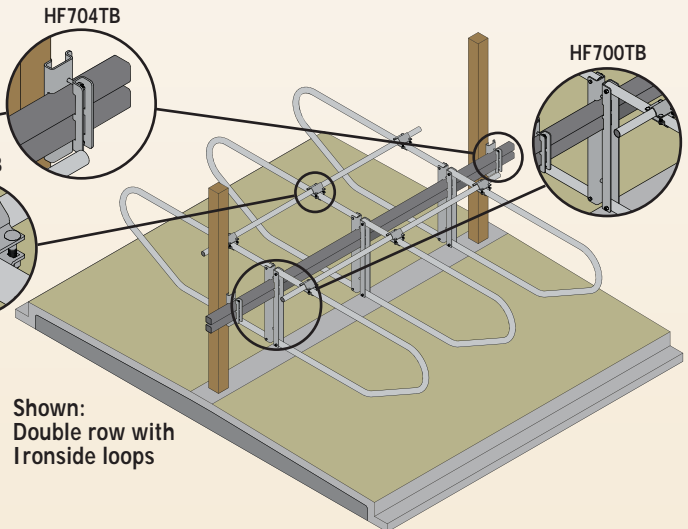
- All concrete work can be done without obstructions
- Big labor savings on concrete and installation labor
- No stall mounts to be anchored to concrete
- Uses our standard Ironside or Relax Fit loops
- Tight fitting custom clamps to secure control rail. No u-bolts to come loose.
- Easy adjustable spacing
- Proven stronger than comparable single beam systems
- More cow comfort area
- No stall mounts on the concrete or in the sand bedding
- Stall system stays high and dry resulting in longer life
- Head to head and single row installations available



### Featuring our Relax Fit Loops



### Featuring our Ironside Loops



### Relax Fit

#### Twin Beam Suspended Free Stall

Part #	Descriptions
TFY860-HDG	Loop, Relax Fit 2 3/8", 6', 10 gauge, Galvanized
TFY866-HDG	Loop, Relax Fit 2 3/8", 6'6", 10 gauge, Galvanized
TFY870-HDG	Loop, Relax Fit 2 3/8", 7', 10 gauge, Galvanized
TFY876-HDG	Loop, Relax Fit 2 3/8", 7'6", 10 gauge, Galvanized
TFY880-HDG	Loop, Relax Fit 2 3/8", 8', 10 gauge, Galvanized
TFY886-HDG	Loop, Relax Fit, 2 3/8", 8'6", 10 gauge, Galvanized
HF720TB	Bracket, Twin Beam, Double Row, Relaxed Fit, w/Hardware
HF721TB	Bracket, Twin Beam, Single Row, Relaxed Fit, w/Hardware
HF704TB	Mount, 3" x 3" Twin Beam to Post
HF725TB	Bracket, Twin Beam, Wall/Post, Relaxed Fit, w/Hardware
RPGA310288	Square Tube, 3" x 3", 288" Galvanized
RPSQ3311288	Square Tube, 3" x 3", 288" Raw Steel
TR1911	Top Rail, 1.9" 11 gauge 288", Galvanized, Swaged
TR1914	Top Rail, 1.9" 14 gauge 288", Galvanized, Swaged
HF42AB	Clamp, Control Rail 1.9" x 2 3/8" with 1/2" Nylock Hardware

### Ironside

#### Twin Beam Suspended Free Stall

Part #	Descriptions
TF860-HDG	Loop, Ironside Free Stall 2 3/8", 6', 10 gauge, Galvanized
TF866-HDG	Loop, Ironside Free Stall 2 3/8", 6'6", 10 gauge, Galvanized
TF800-HDG	Loop, Ironside Free Stall 2 3/8", 7', 10 gauge, Galvanized
TF876-HDG	Loop, Ironside Free Stall 2 3/8", 7'6", 10 gauge, Galvanized
TF880-HDG	Loop, Ironside Free Stall 2 3/8", 8', 10 gauge, Galvanized
TF886-HDG	Loop, Ironside Free Stall 2 3/8", 8'6", 10 gauge, Galvanized
HF700TB	Bracket, Twin Beam, Double Row, Ironside, w/Hardware
HF701TB	Bracket, Twin Beam, Single Row, Ironside, w/Hardware
HF704TB	Mount, 3" x 3" Twin Beam to Post
HF705TB	Bracket, Twin Beam, Wall/Post, Ironside, w/Hardware
RPGA310288	Square Tube, 3" x 3", 288" Galvanized
RPSQ3311288	Square Tube, 3" x 3", 288" Raw Steel
TR1911	Top Rail, 1.9" 11 gauge 288", Galvanized, Swaged
TR1914	Top Rail, 1.9" 14 gauge 288", Galvanized, Swaged
HF42AB	Clamp, Control Rail 1.9" x 2 3/8" with 1/2" Nylock Hardware