

INTERNATIONAL® FLEET PARTS CATALOG ONLINE
INTERNATIONAL® CUSTOM PARTS CATALOG

GET YOUR PARTS FASTER!

WE DELIVER FOR FLEET CUSTOMERS



A NAVISTAR COMPANY



DOWNTIME ... NOT A GOOD TIME.

You need your fleet up and running — no time to waste — because truck downtime affects your profits. You need parts fast. We have the solution!

Now, with a few clicks, you can navigate to the specific parts information you need and then, using shopping cart technology, place your orders with your local International® dealer location. International® *Fleet Parts Catalog Online* is a yearly subscription service to International's online parts ordering system.

IN RECORD TIME, TURN YOUR DOWNTIME INTO UPTIME.

Here are some of the many ways your *Fleet Parts Catalog Online* subscription helps:

EASE AND PERFORMANCE

YOU WANT it now! *Fleet Parts Catalog Online* streamlines the parts ordering process for you, allowing you to be more efficient. You can easily locate parts, including International and All-Makes, virtually 24/7, and submit the orders electronically to your local International® dealer — no more phone or fax orders. And, because the information is centrally served and updated automatically by International, you get the most current parts information possible.

CUSTOMIZED

YOU WANT it made just for you! Your subscription delivers your own customized home page, with your own customized list of vehicles with unit numbers and locations. This system can add up to 100 VIN numbers at a time! Your pricing details are customized too, ensuring you get the right price for all your parts purchases. You can create and save custom parts lists, add parts to the shopping cart with a single click, view actual prices including any negotiated International special price authorization discount and view/print parts illustrations.

INVENTORY LOOKUP

YOU WANT to know you can have it! You no longer need to wonder if the parts are available or backordered since you can

check out the latest parts availability in the International® Parts Distribution Centers inventory. And, with nine locations throughout U.S., Canada and Mexico, International has the inventory to meet your needs with more than \$300 million in parts inventory and more than 75,000 different part numbers available.

ADDED BONUS

YOU WANT more! Your *Fleet Parts Catalog Online* subscription can be integrated effortlessly with the International® Fleet ISIS® program to help you check on your trucks' warranty information/history, service contracts, recalls and Authorized Field Change (AFC) information, and calibration status for any International® vehicle.

TIMELY INFORMATION

YOU WANT the latest information! Your customized home page will have it. Your International® sales representative can use this page to notify you about special parts sales, promotions and upcoming events that will help you gain an edge. In addition, check for recommended, specific parts lists developed for you to simplify ordering, and updates on new products to improve your trucks' performance.

FLEET PARTS CATALOG ONLINE — GIVING YOU WHAT YOU WANT.

HOME PAGE

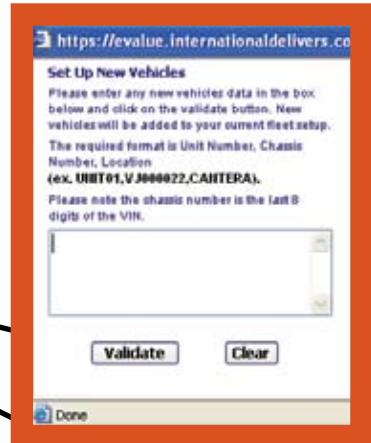
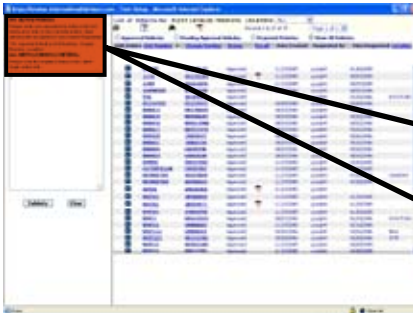
A customizable home page complete with all your fleet vehicles listed, search links, International® parts customer letters, helpful links and more.

The screenshot shows the 'Fleet Parts Catalog' website. The main content area displays a 'Welcome to the Fleet Parts Catalog' message and a table of vehicles for 'FLEET CATALOG TRAINING'. The table includes columns for Unit Number, Chassis Number, Model Description, Engine Number, and Build Date. A sidebar on the right contains a 'Fleet Set Up' menu, a search input field with the value '6H223223', and a 'Welcome Aaron Harbath' message.

Unit Number	Chassis Number	Model Description	Engine Number	Build Date
000001	0111799025	0001.500.000	00000000	06/02/1992
000002	01000002	0001.500.000	00000002	12/07/1990
000003	0001.12000	0001.500.000	00000003	01/02/1997
000004	01000002	0001.500.000	00000004	08/10/1990
000005	0001.12000	0001.500.000	00000005	06/07/2002
000006	0001.12000	0001.500.000	00000006	06/02/2002
000007	0001.12000	0001.500.000	00000007	05/12/2000
000008	0001.12000	0001.500.000	00000008	09/07/2000
000009	0001.12000	0001.500.000	00000009	03/19/2004

NEW VEHICLE SETUP

Enter your new fleet vehicles in the system easily — up to 100 can be entered at one time.



LINE SET INFORMATION

View complete vehicle information as it was originally ordered.





GET FLEET PARTS CATALOG ONLINE WORKING FOR YOU.

For more information on how to gain this parts ordering speed and efficiency with *Fleet Parts Catalog Online*, talk with your local International® dealer or sales representative.

- **Users need to be signed up and approved by an International dealer, Key Market Manager or National Account Manager to be eligible.**
- ***Fleet Parts Catalog Online* is a subscription service, renewable each December. Please visit <http://fleetpartscatalog.internationaldelivers.com> for more information and pricing details.**
- **Users need to have a Microsoft® Windows® operating system with Microsoft® Internet Explorer 6.0 SP2 or higher to access the application and must act in accordance with the International Logon ID agreement (as shown upon first login).**

In no time at all, you can begin to use this dynamic and beneficial parts ordering process to remove downtime from your vocabulary.

“The system is great! It puts all the answers right in front of us, so we have the most up-to-date, accurate information. We immediately know if we’ve got the right part in stock for the job at hand or can place the order 24/7.”

– Mark Sopha, Muskoka Transport

YOUR FLEET, YOUR PARTS, YOUR ADVANTAGE.

THE INTERNATIONAL® CUSTOM PARTS CATALOG

Take the guesswork out of parts buying. The *International® Custom Parts Catalog* offers owner operators and/or small fleet owners a catalog that provides only the parts that fit your specific vehicle's chassis. Take the opportunity to use this personalized catalog for easy parts searching, view helpful illustrations to reduce order errors, navigate to complete line set information and much more, all to help you get back on the road faster.

Your specific truck catalog is available as a quick-reference paper catalog or on a searchable CD-ROM for PCs using Microsoft® Windows®. The powerful search capabilities enable you to quickly look through parts groups and a description or part number index to find the right part and easy reference illustration.

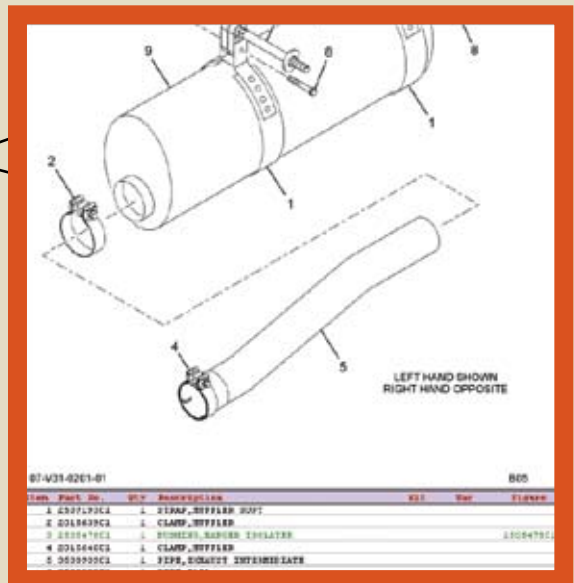
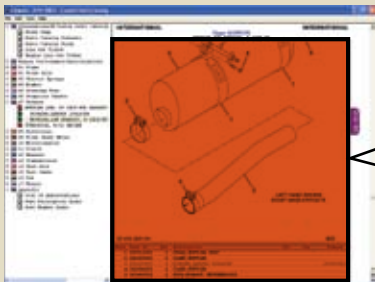
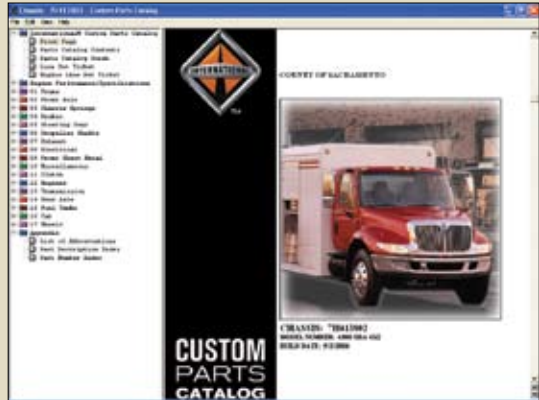
International Custom Parts Catalogs are:

- **Customized for your specific vehicle**
- **Complete with your line set information at your fingertips**
- **Simple to search or alphabetically look up by part description or part number**
- **Helpful illustrations available for ordering confidence**
- **Less expensive than a subscription to *Fleet Parts Catalog Online***
- **Available on an easy-to-use CD-ROM or convenient paper book**

Get the ease and simplicity of ordering exactly what you need. Please visit <http://custompartscatalog.internationaldelivers.com> and fill out your Custom Parts Catalog order form today!

CUSTOM PARTS CATALOG

View complete parts information on your specific vehicle so you can order the right part the first time.





A NAVISTAR COMPANY

<http://FleetPartsCatalog.internationaldelivers.com>

All material in this literature is as accurate as known at time of publication, but is subject to change without notice. International, the International Diamond logo and Fleet ISIS are registered trademarks of International Truck and Engine Corporation.